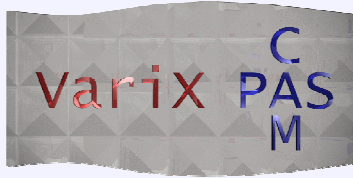
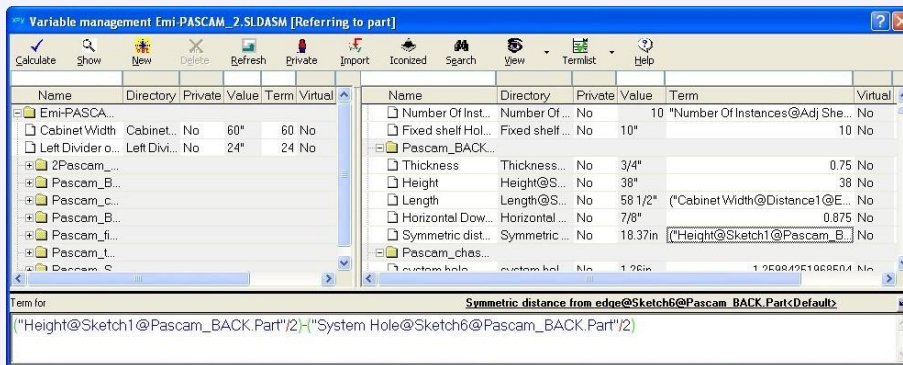


VariXPASCAM



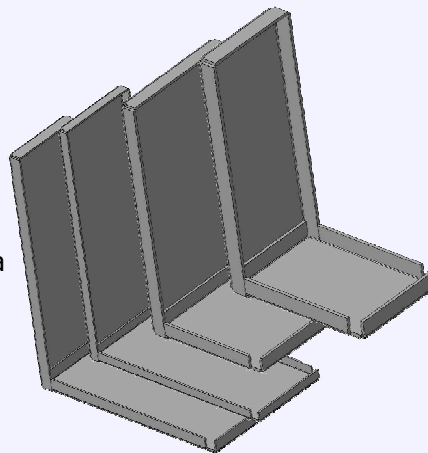
Management of variables, equations and conditions in SolidWorks® with VariXPASCAM



VariXPASCAM is the efficient engineering tool to edit variables, equations and conditions in SolidWorks®. The split screen view option simplifies and accelerates Paste&Copy operations of table elements. The input fields in the table header enhance the clarity of the table by reducing quickly the displayed variables by entering search terms or values.

What you get:

- A clear breakdown of dimensions, equations and conditions and the capability of quick modifications in a convenient dialogue box
- A high reusability of components and sub-assemblies in variant construction through optional saving of the dimensions in the assembly
- An intuitive drag&drop control via mouse and keyboard



VariXPASCAM offers you:

- Increased construction safety with an clear and open, tabulated chart
- Quick access to arrange and edit equations simply and fast
- Reduced turn-around time due to flexible and efficient handling of components at the construction of dimensional variants
- Cut costs for marketing and engineering

PASCAM Ralph Müller ■ Danziger Str. 16 ■ D-74366 Kirchheim/N. ■ Germany
Phone: +49 (7143)961327 ■ Fax: +49 (7143)961328 ■ e-Mail: info@pascam.de

varixpascam.pascam.de

The universal tool for model variant management

Dimensional variants simply can be generated by modifying the variable value, without creating a configuration

Simultaneous and clear display of variable values and equations

Control of the feature suppression status by means of conditions

Simple modification of variable names

Tabulated representation of the assembly hierarchy in the variable table, component dimensions are displayed in reference to the assembly

Complete integration in SolidWorks®, the full functional range of SolidWorks® equations remain unchanged

The visibility of dimensions is defined by filters

Saving of additional information at each dimension, selecting dimensions for the drawing in the table

Data can be transferred automatically to the external product configuration tool PASCAM con@3D Var

System requirements:

- SolidWorks 2007 or later
- Windows XP or later

Sales partner:

